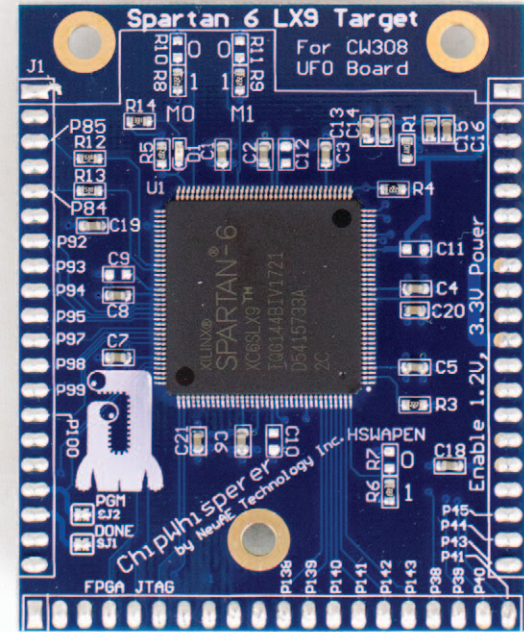




Spartan 6 LX9 UFO Target

NewAE Technology Inc.
newae.com

Product Datasheet



The CW308T-S6LX9 target series allows experiments on a low-cost FPGA device. This target board features a Spartan 6 LX9 FPGA in TQFP package. It is ideal for power analysis attacks, clock fault injection, voltage fault injection, and EM fault injection.

Included example runs an AES hardware core and sends/receives data using the standard Simple Serial protocol. This allows direct usage with the ChipWhisperer software.

Note an external JTAG programmer (such as Xilinx Platform Cable USB-II) is required for this target.

CW308 UFO Baseboard REQUIRED for use!
JTAG Programmer REQUIRED for use!

Product Highlights

Xilinx XC6SLX9-2TQG144C supported.

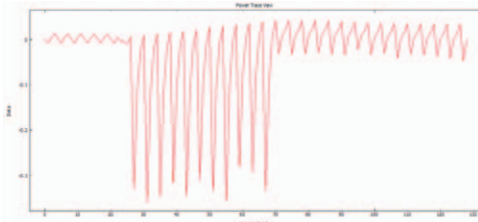
Perform clock and voltage glitching right from ChipWhisperer-Lite or ChipWhisperer-Pro.

Optional SPI flash footprint allows use of board with non-volatile bitstream support.

Test hardware peripherals, FPGA soft-core processors, and unique hardware encryption designs.

Will not give you up, let you down, run around, and desert you. May make you cry.

Example AES implementation provides simple side-channel analysis target to validate measurement toolchain.



Ordering Summary

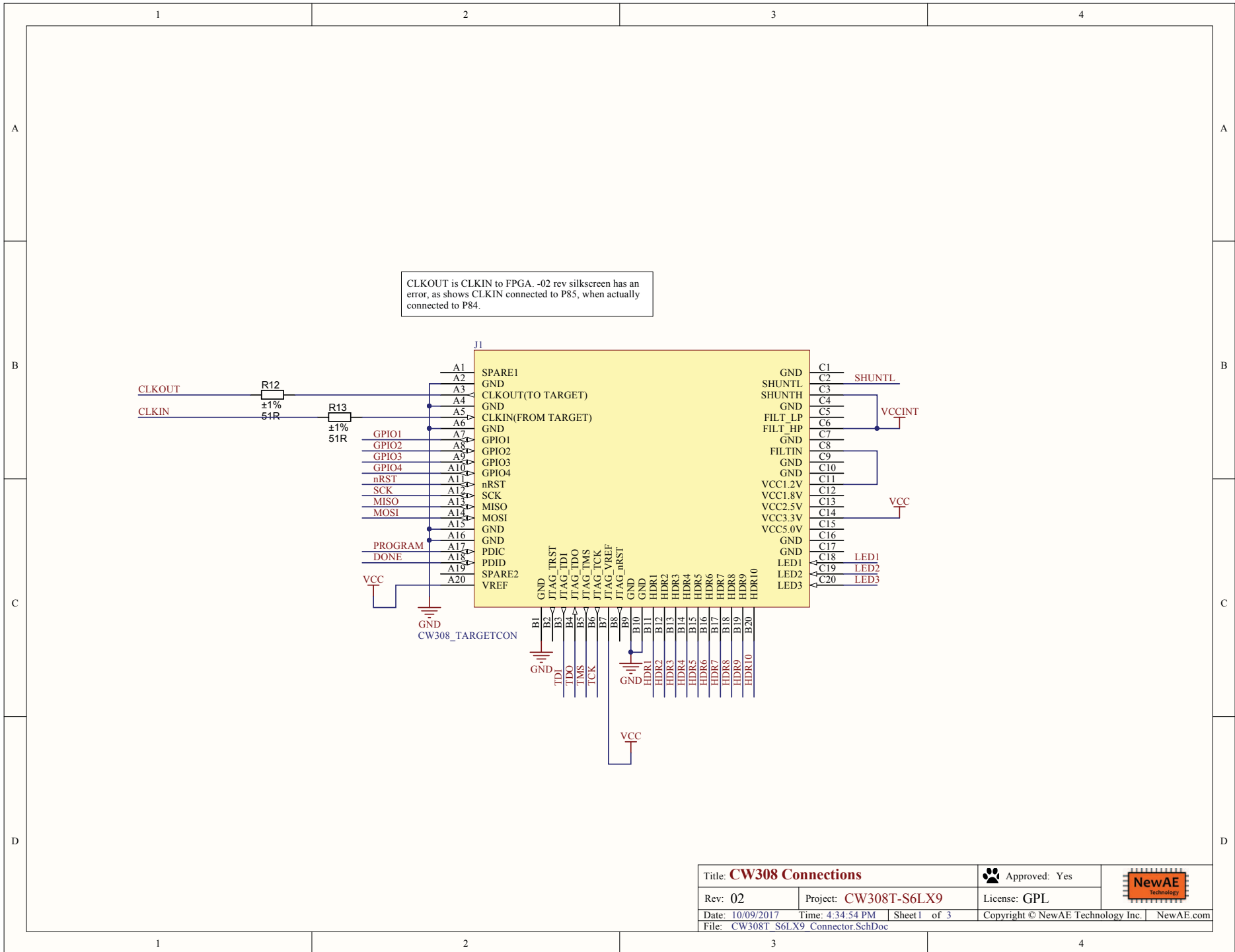
NAE-CW308T-S6LX9 Xilinx XC6SLX9-2TQG144C UFO Target.

Product Links

Full Documentation <https://wiki.newae.com/CW308T-S6LX9>

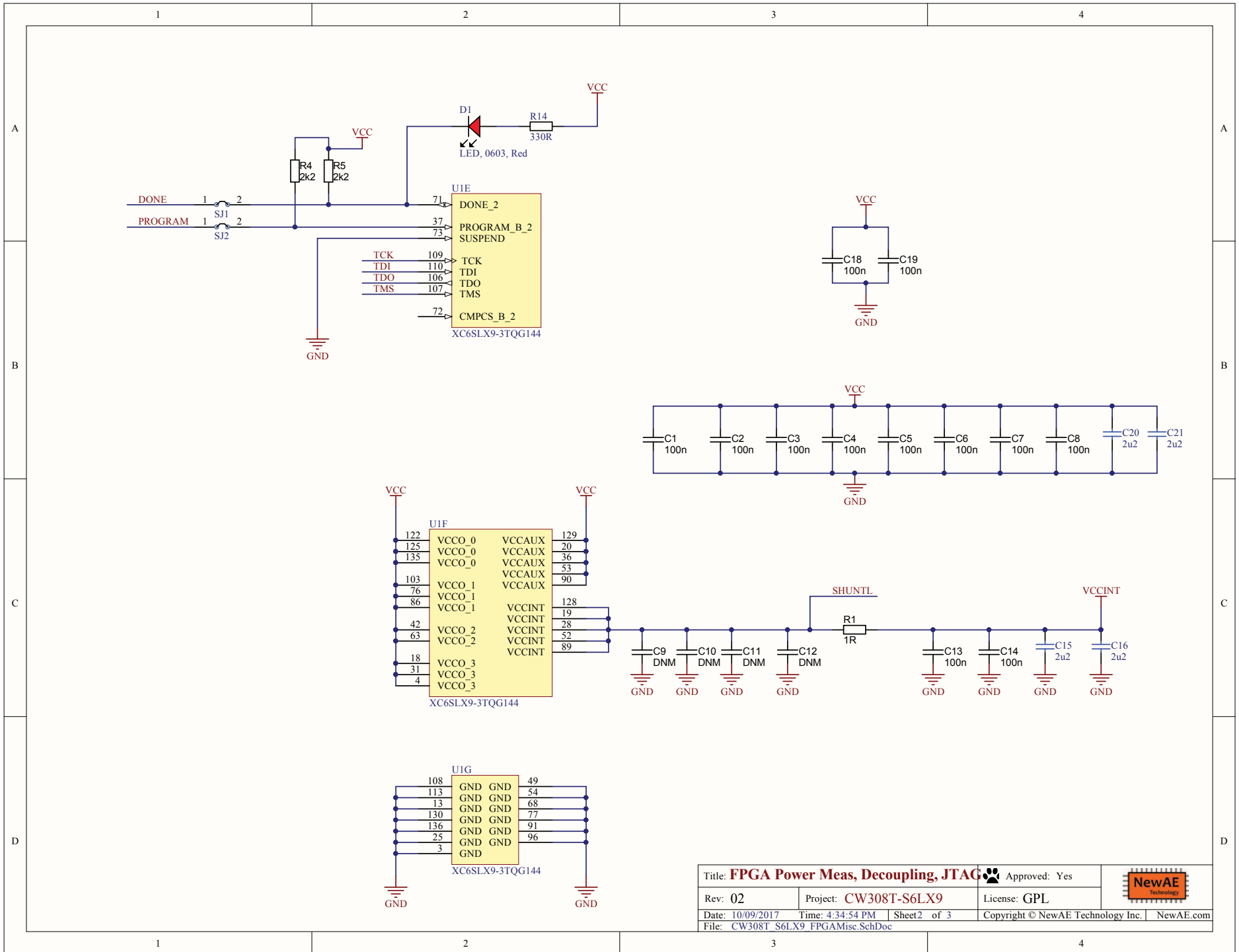
HDL Examples https://github.com/newaetech/chipwhisperer/tree/master/hardware/victims/cw308_ufo_target/spartan6lx9

Schematic



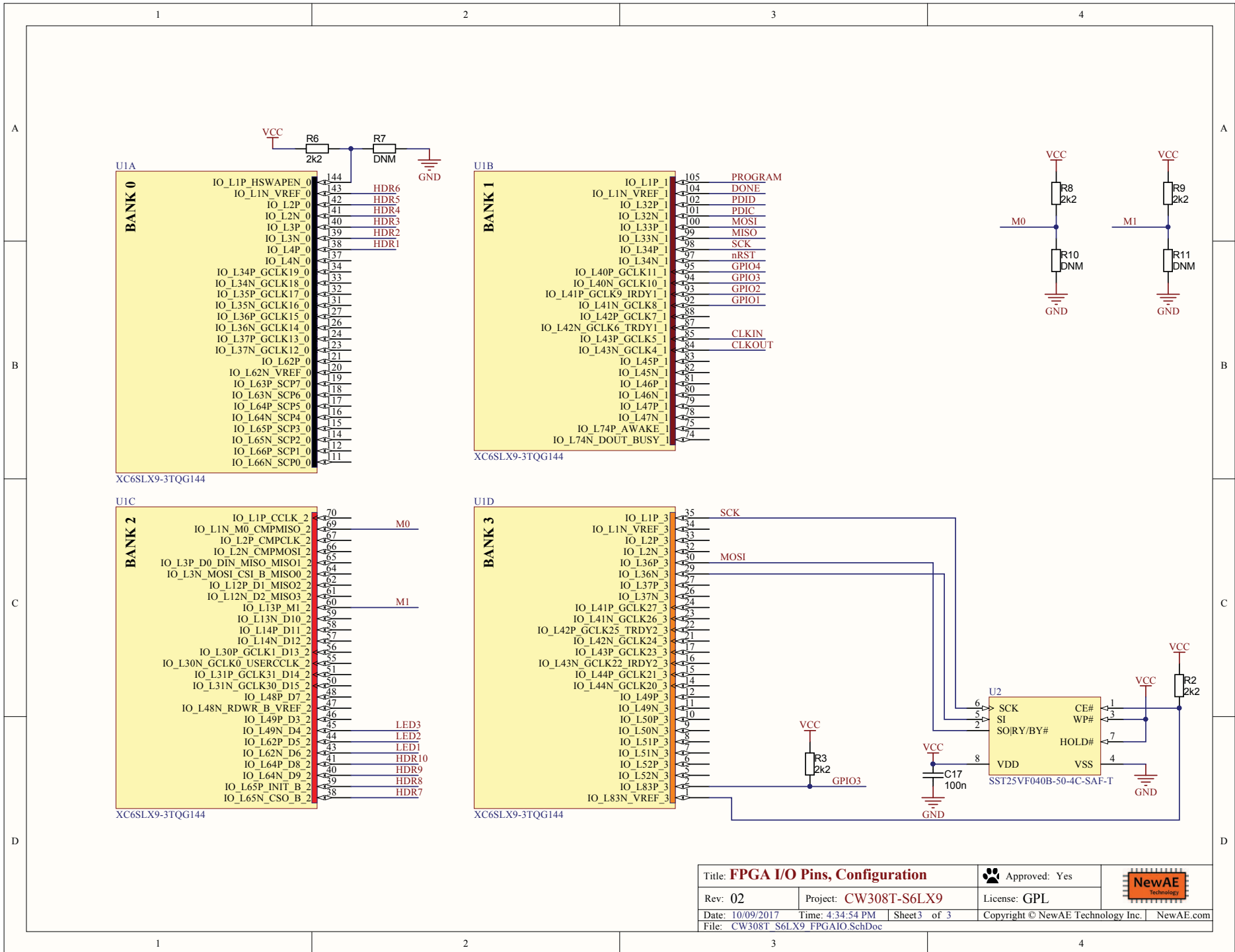
Title: CW308 Connections		Approved: Yes	
Rev: 02	Project: CW308T-S6LX9	License: GPL	
Date: 10/09/2017	Time: 4:34:54 PM	Sheet 1 of 3	Copyright © NewAE Technology Inc. NewAE.com
File: CW308T_S6LX9_Connector.SchDoc			

Schematic



Title: FPGA Power Meas, Decoupling, JTAG		Approved: Yes	
Rev: 02	Project: CW308T-S6LX9	License: GPL	
Date: 10/09/2017	Time: 4:34:54 PM	Sheet2 of 3	Copyright © NewAE Technology Inc. NewAE.com
File: CW308T_S6LX9_FPGAMisc.SchDoc			

Schematic



Title: FPGA I/O Pins, Configuration		Approved: Yes	
Rev: 02	Project: CW308T-S6LX9	License: GPL	
Date: 10/09/2017	Time: 4:34:54 PM	Sheet3 of 3	Copyright © NewAE Technology Inc. NewAE.com
File: CW308T_S6LX9_FPGAIO.SchDoc			

Disclaimers

All content is Copyright NewAE Technology Inc., 2018. ChipWhisperer is a trademark of NewAE Technology Inc., registered in the United States of America and Europe. ChipSHOUTER is a trademark of NewAE Technology Inc., registered in Europe. Trademarks are claimed in all jurisdictions and may be registered in other states than specified here.

NewAE Technology makes no representations or warranties with respect to the accuracy or completeness of the contents of this document and reserves the right to make changes to specifications and product descriptions at any time without notice. NewAE Technology does not make any commitment to update the information contained herein. NewAE Technology products are not intended, authorized, or warranted for use as components in applications intended to support or sustain life. NewAE Technology products are designed solely for teaching purposes.

All other product names and trademarks are the property of their respective owners, which are in no way associated or affiliated with NewAE Technology Inc. Use of these names does not imply any co-operation or endorsement.

AVR and XMEGA are registered trademarks or trademarks of Atmel Corporation or its subsidiaries, in the US and/or other countries.

Artix and Spartan are registered trademarks or trademarks of Xilinx, Inc. or its subsidiaries, in the US and/or other countries.

Arm is a registered trademark of Arm Limited (or its subsidiaries) in the US and/or elsewhere.

Mouser Electronics

Authorized Distributor

Click to View Pricing, Inventory, Delivery & Lifecycle Information:

[NewAE Technology:](#)

[NAE-CW308T-S6LX9](#)